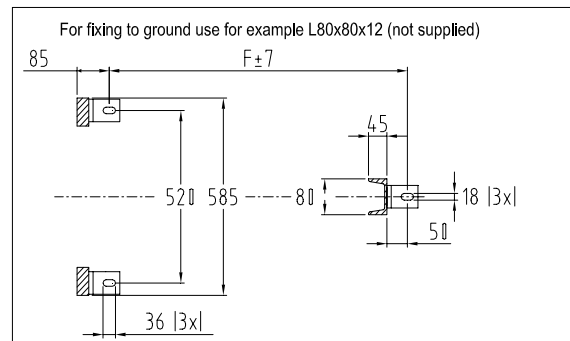
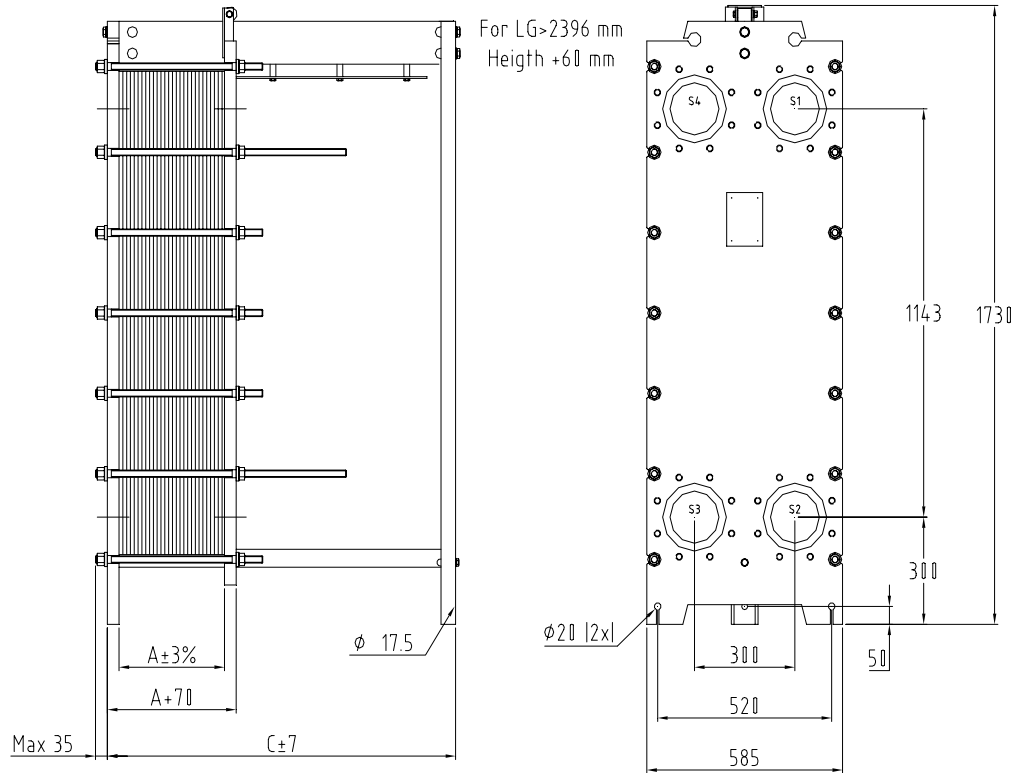


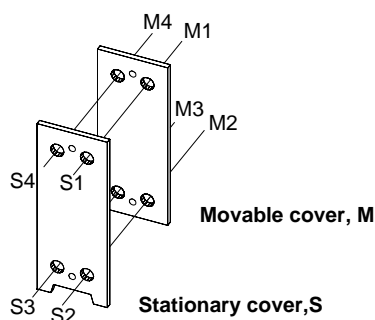


PLATE HEAT EXCHANGER
GX-51N
DIMENSIONS, MM



The Plate Heat Exchanger has 4 connections as standard and should be installed with min. 1000 mm space on both sides for service work.

Subject to alterations without prior notice.



Available connections.

Conn. fits	D	K	Threaded	No. of bolts
DIN ×	217	240	M20×25	8
ANSI ×	217	241.3	3/4"UNC×25	8
JIS 10K	217	240	M20×25	8
JIS 5K	210	230	M16×25	8

× DIN 2501 PN 10
ANSI B 16.5 # 1501b



PLATE HEAT EXCHANGER
GX-51N
DIMENSIONS, MM

Standard connection dimension	DN150								
Tightening bolt	M20								
No. of long tightening bolts (T _L)	4								
No. of short tightening (T _S)	10								
Cover thickness	35 mm								
Weight of guiding bar	11 kg/m								
Weight of reinforced guiding bar	17 kg/m								
Weight of tightening bolt	2,0 kg/m								
A-dimension	3,8*n mm								
C-dimension	LG+41 mm								
F-dimension	LG+6 mm								
Weight plate+gasket (W)	<table style="border: none;"> <tr> <td style="padding-right: 20px;">AISI 304/316 0,5 mm</td> <td>2,55 kg</td> </tr> <tr> <td>AISI 304/316 0,6 mm</td> <td>3,06 kg</td> </tr> <tr> <td>Titanium 0,5 mm</td> <td>1,57 kg</td> </tr> <tr> <td>Titanium 0,6 mm</td> <td>1,88 kg</td> </tr> </table>	AISI 304/316 0,5 mm	2,55 kg	AISI 304/316 0,6 mm	3,06 kg	Titanium 0,5 mm	1,57 kg	Titanium 0,6 mm	1,88 kg
AISI 304/316 0,5 mm	2,55 kg								
AISI 304/316 0,6 mm	3,06 kg								
Titanium 0,5 mm	1,57 kg								
Titanium 0,6 mm	1,88 kg								
Weight Frame	630+n*W kg								

Max No of plates	LT _L	LG	C	F
22	250	600	641	606
42	375	600	641	606
63	500	600	641	606
104	750	1000	1041	1006
126	1000	1000	1041	1006
145	1000	1350	1391	1356
183	1250	1350	1391	1356
227	1500	1550	1591	1556
273	1900	1900	1941	1906
309	2000	2250	2291	2256
331	2000	2250	2291	2256

LT_L = Length of long tightening bolt, based on 6,1 x n + 114 mm

LG = Length of guiding bar, based on 6,1 x n + 230 mm

n = number of plates

LG>2396 mm = reinforced guiding bar, total height +60mm.

1) The reinforced guiding bar is not dimensioned for more plates.

Total max no. of plates	
AISI 304/316 0,5 mm	485 ¹⁾

All data is based on plates with material AISI 304/316 and thickness 0,5 mm.