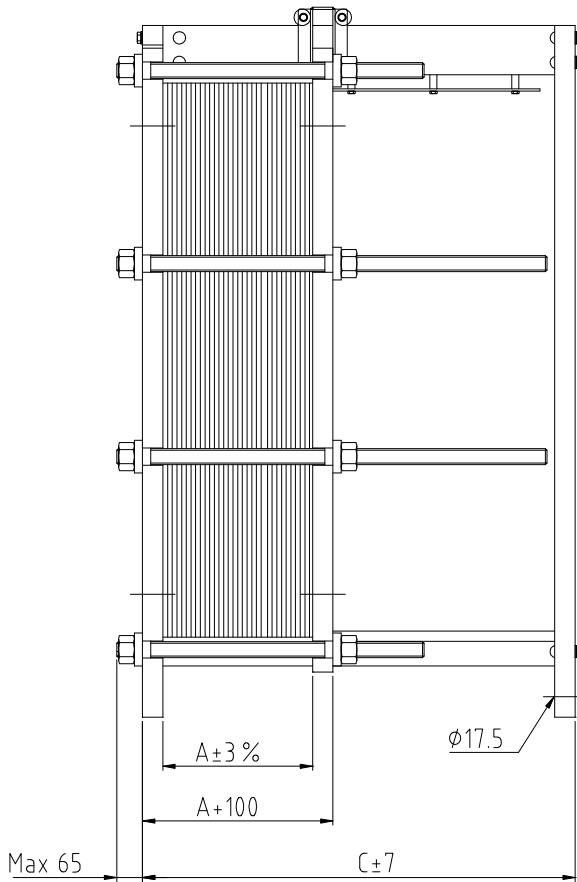
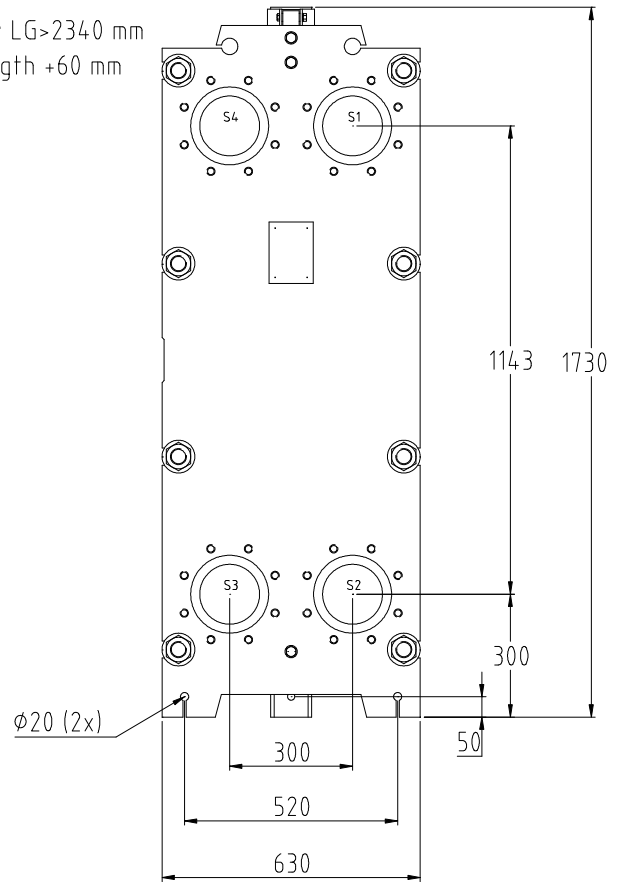




PLATE HEAT EXCHANGER
GX-51P
DIMENSIONS, MM

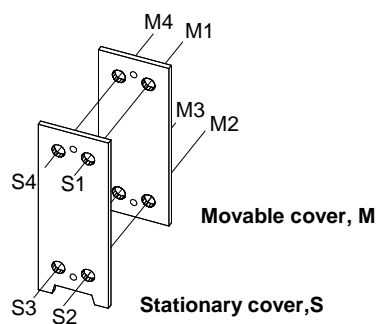
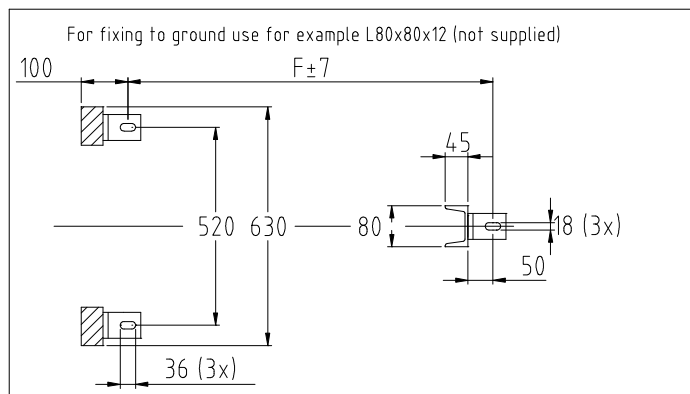


For LG>2340 mm
Height +60 mm



The Plate Heat Exchanger has 4 connections as standard and should be installed with min. 1000 mm space on both sides for service work.

Subject to alterations without prior notice.



Available connections.

Conn. fits	D	K	Threaded	No. of bolts
DIN ×	217	240	M20×30	8
ANSI ×	217	241.3	3/4"UNC×30	8
JIS 10K	217	240	M20×30	8
JIS 5K	210	230	M16×25	8

× DIN 2501 PN 16
ANSI B 16.5 # 150lb



**PLATE HEAT EXCHANGER
GX-51P
DIMENSIONS, MM**

Standard connection dimension	DN150								
Tightening bolt	M39								
No. of long tightening bolts (T _L)	4								
No. of short tightening bolts (T _S)	4								
Cover thickness	50 mm								
Weight of guiding bar	11 kg/m								
Weight of reinforced guiding bar	17 kg/m								
Weight of tightening bolt	8,1 kg/m								
A-dimension	3,8*n mm								
C-dimension	LG+56 mm								
F-dimension	LG+6 mm								
Weight plate+gasket (W)	<table style="border: none;"> <tr> <td style="padding-right: 20px;">AISI 304/316 0,5 mm</td> <td>2,55 kg</td> </tr> <tr> <td>AISI 304/316 0,6 mm</td> <td>3,06 kg</td> </tr> <tr> <td>Titanium 0,5 mm</td> <td>1,57 kg</td> </tr> <tr> <td>Titanium 0,6 mm</td> <td>1,88 kg</td> </tr> </table>	AISI 304/316 0,5 mm	2,55 kg	AISI 304/316 0,6 mm	3,06 kg	Titanium 0,5 mm	1,57 kg	Titanium 0,6 mm	1,88 kg
AISI 304/316 0,5 mm	2,55 kg								
AISI 304/316 0,6 mm	3,06 kg								
Titanium 0,5 mm	1,57 kg								
Titanium 0,6 mm	1,88 kg								
Weight Frame	880+n*W kg								

Max No of plates	LT _L	LG	C	F
48	500	600	656	606
60	750	600	656	606
88	750	1000	1056	1006
126	1050	1000	1056	1006
137	1050	1350	1406	1356
183	1350	1350	1406	1356
186	1350	1550	1606	1556
216	1650	1550	1606	1556
236	1650	1900	1956	1906
273	1950	1900	1956	1906
285	1950	2250	2306	2256
331	2250	2250	2306	2256
453	3000	3000 ¹⁾	3056	3006
457	3000	-	-	-

LT_L = Length of long tightening bolt, based on 6,1 x n + 210 mm
 LG = Length of guiding bar, based on 6,1 x n + 230 mm
 n = number of plates

- 1) LG>2340 mm reinforced guiding bar Height+60mm.
- 2) The reinforced guiding bar is not dimensioned for more plates.

Total max no. of plates	
AISI 304/316 0,5 mm	475 ²⁾

All data is based on plates with material AISI 304/316 and thickness 0,5 mm.